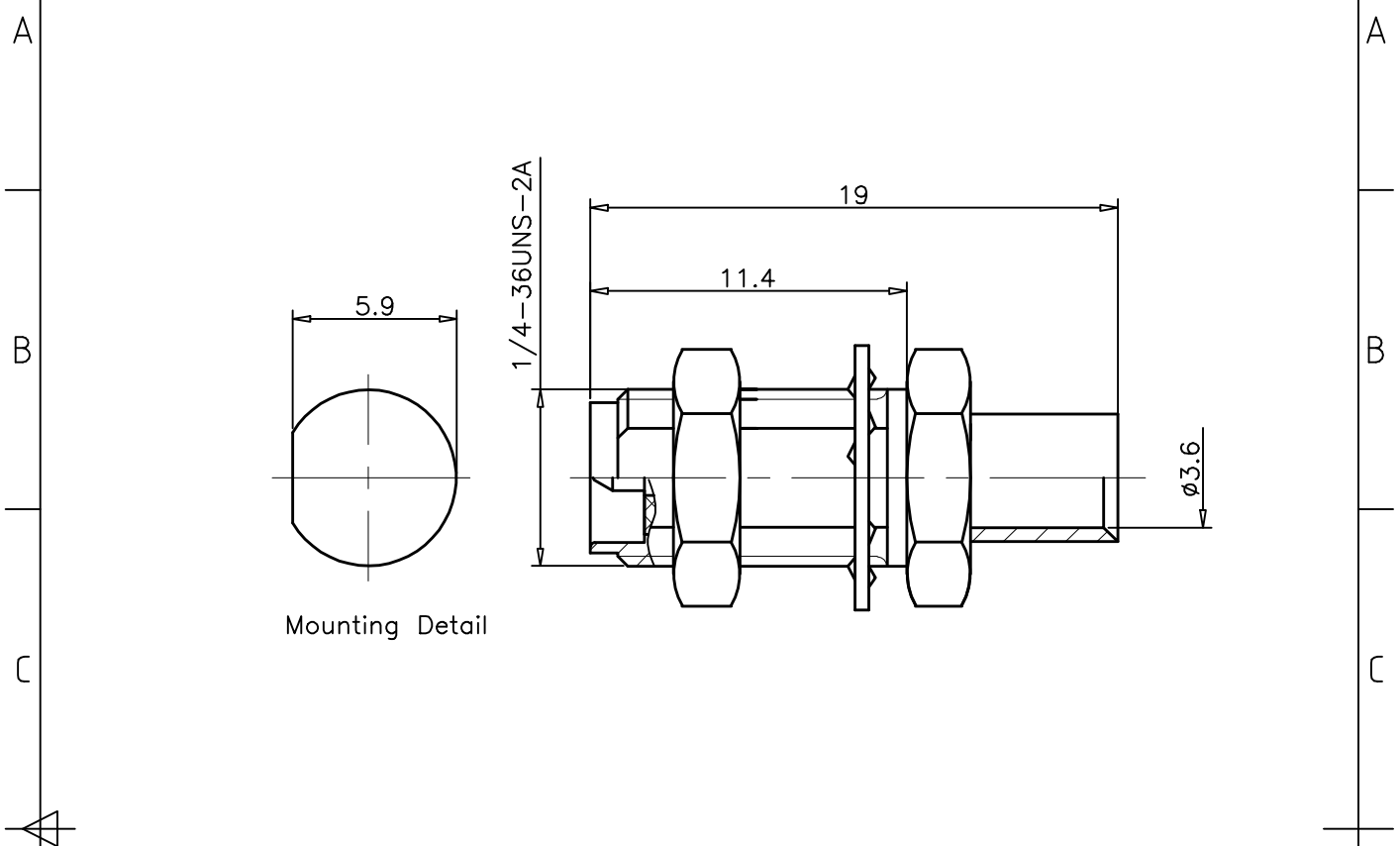


1	2	3	4	
RevNo	Revision note	Date	Signature	Checked
00	Sketch Only	6/11/14	Teresa	Simon



Interface Per: Interface Per: MIL-STD-348, IEC 60169-15
 Material & Finishing:
 1. Center conductor: Brass, Gold Plating
 2. Insulators: PTFE
 3. Spring Washer: Beryllium Copper, Gold Plating
 4. Body : Brass, Gold Plating

RoHS Compliant.

ALL DIMENSIONS ARE IN MILLIMETERS AND [INCHES]

KERUI ELECTRONIC CO;LTD

Title
 RPSMA male bulkhead mounted
 solder for .141 cable

THESE DRAWING & SPEC. ARE THE PROPERTY OF KERUI ELECTRONIC CO;LTD AND SHALL NOT BE REPRODUCED, OR COPIED OR USED AS THE BASIS FOR THE MANUFACTURE OR SALE OF APPARATUS OR DEVICES WITHOUT THEIR EXPRESS WRITTEN CONSENT.

Drawn by Teresa	Ckd by Simon	Appd by Richard	Date 6/16/2014
Scale 4:1	Sheet 1 of 1	10 1110 330 01	